

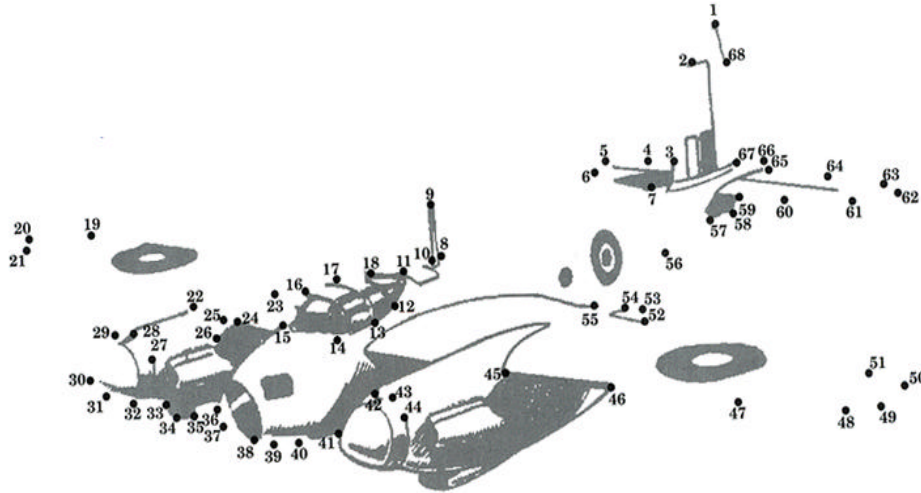


# Air Activities Badge

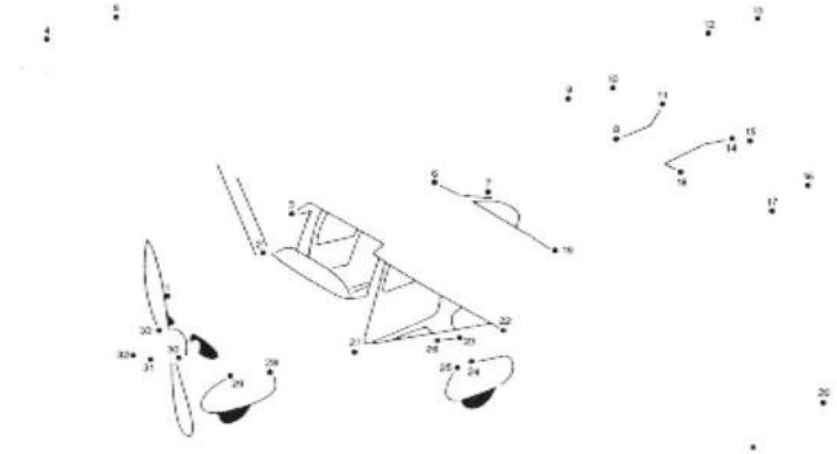


Join-the-dots to complete the picture of these aeroplanes and then using an Aircraft Picture book from your local library, identify them and write your answers in the spaces provided and hand to your leader for checking.

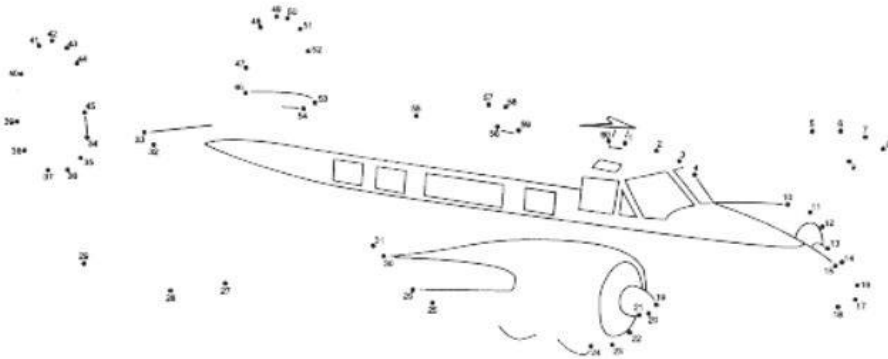
(This activity worksheet meets Badge Requirement 3 h)



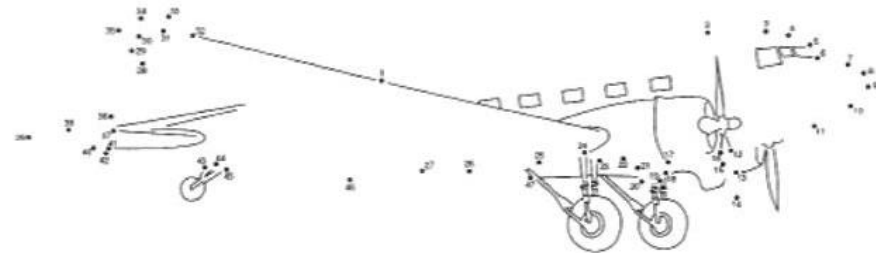
Aircraft Name: M\_\_\_\_\_



Aircraft Name: C\_\_\_\_\_



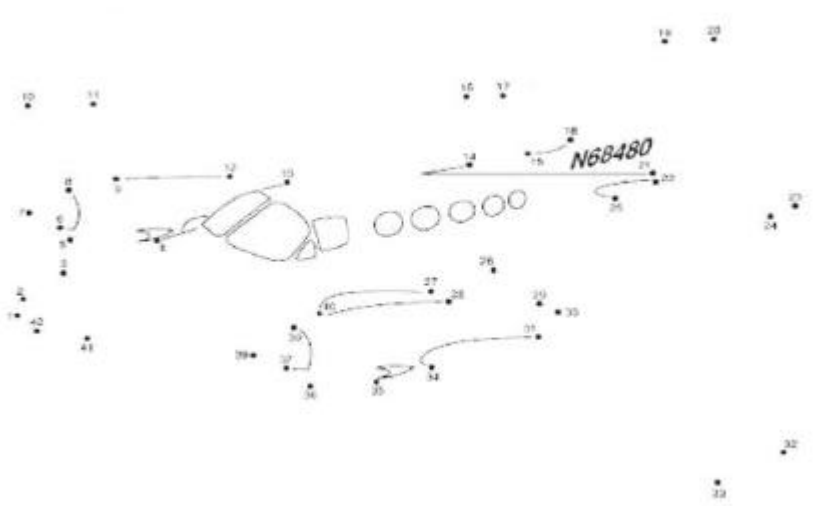
Aircraft Name: B\_\_\_\_\_



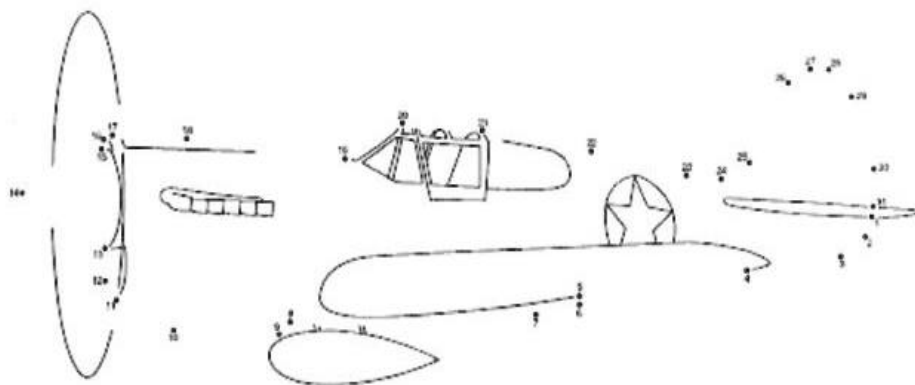
Aircraft Name: C\_\_\_\_\_



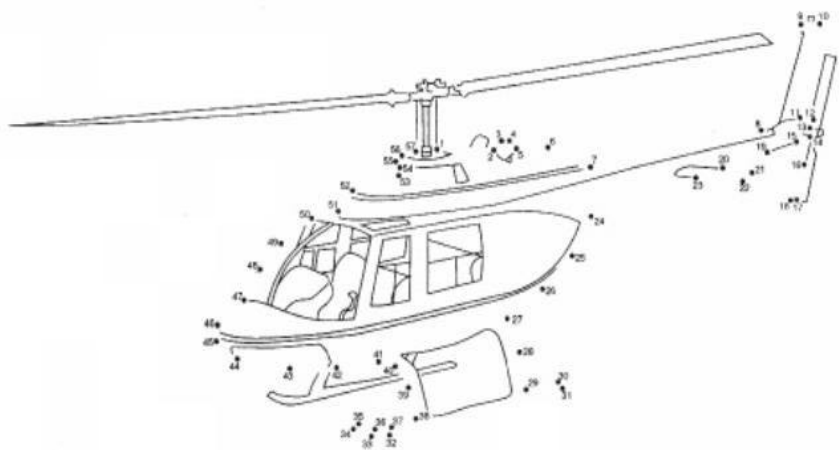
# Air Activities Badge



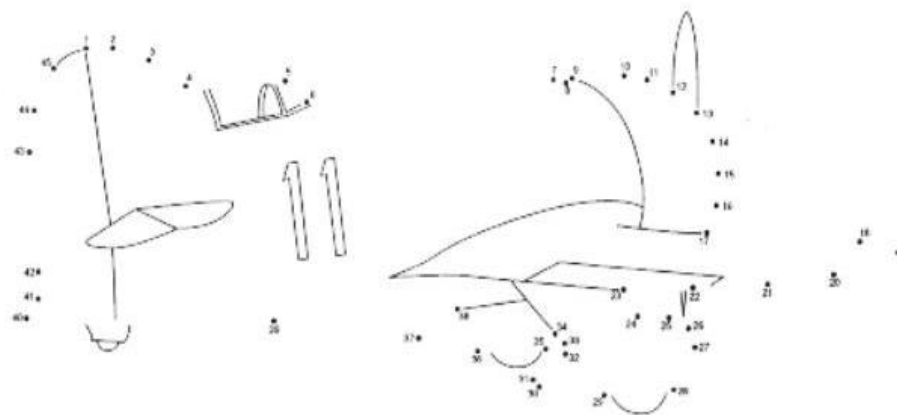
Aircraft Name: C \_\_\_\_\_



Aircraft Name: C \_\_\_\_\_



Aircraft Name: J \_\_\_\_\_



Aircraft Name: C \_\_\_\_\_